



SlotTop & BrickSlot

Brochure **2023**

Invisible drainage systems



SlotTop and BrickSlot, invisible and efficient drainage system

SlotTop combines design and the need of more performing drainage. It is perfect for those environments where it is necessary to respect the aesthetics and at the same time to have a high technical quality.

SlotTop can be considered an alternative to the traditional grating and it offers an aesthetic advantage thanks to the thin lines that perfectly integrate into the flooring and remains invisible in the architectural context.

SlotTops and BrickSlots are characterized by different fields of applications; balconies, terraces and private car parking, up to squares and fontaines.

SlotTop with 4ALL H50 and 4ALL H92 channels

Introduction SlotTop H20		p.	5
Introduction SlotTop H40		p.	7
Introduction SlotTop Tile		p.	9
SlotTop H20_4ALL H50	Load class A15	p.	11
SlotTop H40_4ALL H50	Load class B125	p	12
SlotTop H20_4ALL H92	Load class A15	P.	13
SlotTop H40_4ALL H92	Load class B125	p	14
SlotTop Tile	Load class A15	p.	15
Installation instruction		p.	17

BrickSlot H80 with EASY 100 and VIP 100 channels

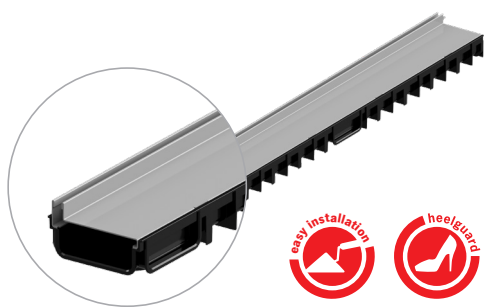
Introduction BrickSlot H80		p.	19
Applications BrickSlot H80		p.	21
BrickSlot H80_EASY 100	Load class C250	p.	23
BrickSlot H80_VIP 100	Load class C250	p.	24
Installation instruction		p.	25

SlotTop H20

4ALL H50 and 4ALL H92



SlotTop H20 Stainless steel



Main Characteristics

- Drainage system composed by 4ALL channel and SlotTop H20 grating
- Stainless steel AISI 304
- Dimension of slot 10mm
- Suitable for surfaces paved with 15mm thick tiles max.
- Load class A15
- Inspection elements: linear, with right curve or with left curve
- SlotTop H20 grating and 4ALL H50 channel can create a 90° corner without interruption on the drainage line
- Certified in accordance to EN1433
- Total height 4ALL H50 e SlotTop H20 : 70mm
- Total height 4ALL H92 e SlotTop H20 : 112mm
- Easy to install
- Easy to transport

SlotTop. functional system and minimal design



DESIGN TO MEET EVERY NEED

Thanks to its thin and continuous lines, it perfectly integrates with the flooring, making it almost invisible. A valid alternative to the traditional drainage gratings, but it also offers an important aesthetic advantage.

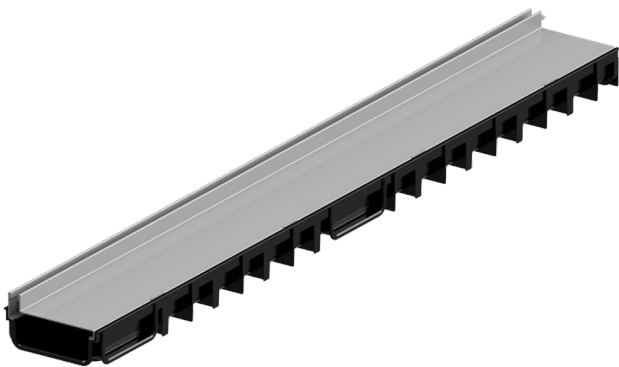
4ALL H50 channel and 4ALL H92 channel with SlotTop H20 is the perfect solution for installations such as terraces and balconies where the installation height is limited. Customer is more and more attracted to the design of the surrounding and needs to include drainage systems as an architectural design element, especially in own homes, gardens and terraces.

90° CORNER with SlotTop H20

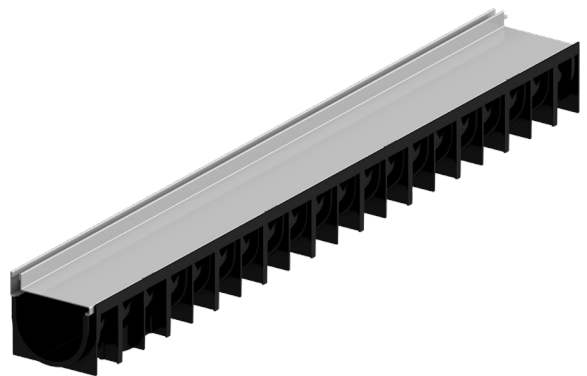
To create a 90° corner without interrupting the drainage line, the perfect solution is to install the SlotTop H20 with 4ALL H50 channel. This is possible thanks to the right and left inspection elements present in the range.



SlotTop H20 and 4ALL H50



SlotTop H20 and 4ALL H92



SlotTop. functional system and minimal design

SlotTop H40

4ALL H50 and 4ALL H92



SlotTop H40

Stainless steel
Galvanized steel



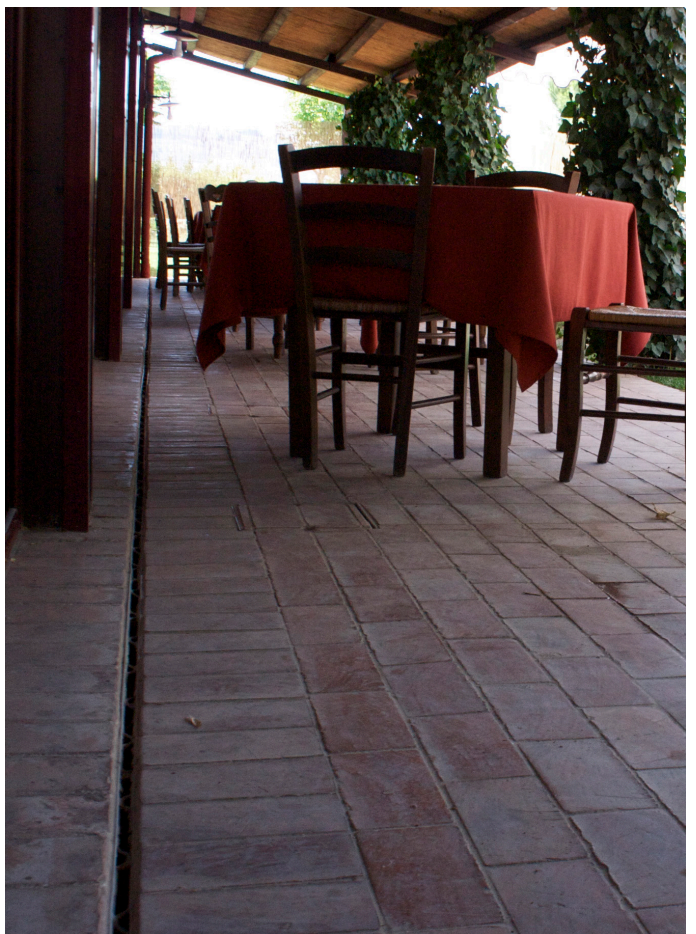
Main Characteristics

- Drainage system composed by 4ALL channel and SlotTop H40 grating
- Stainless steel AISI 304 and galvanized steel
- Dimension of slot 10mm
- Suitable for surfaces paved with high tiles (max 30mm thick)
- Load class B125
- Element of inspection: linear
- SlotTop H40 grating and 4ALL H50 channel can create a 90° corner without interruption on the drainage line
- Certified in accordance to EN 1433
- Total height 4ALL H50 and SlotTop H40 : 90mm
- Total height 4ALL H92 e SlotTop H40 : 132mm
- Easy to install
- Easy to carry

4ALL H50 channel and 4ALL H92 channel with SlotTop H40 is the perfect solution for installations such as private car parks, driveways to private houses, gardens and garages. It is suitable for areas paved with thick tiles and stones.

For installation with high thickness, it is important to have a bigger support surface to guarantee safety, efficacy and quality at the same time.

SlotTop H40 is the perfect solution for these installations.



SlotTop Tile H20

4ALL H50

Solid top cover in stainless steel
removable for channel cleaning



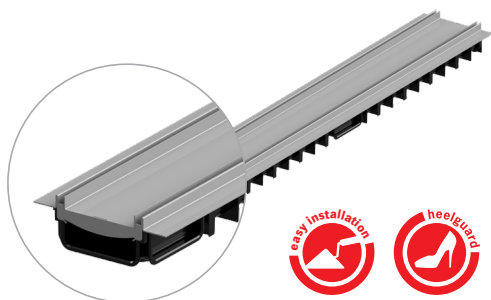
Frame in stainless steel
with lateral wings for
positioning the waterproof
layer

Available for 4ALL H50 channel in PP-PE

Sealing joint. It is possible
to connect the two
channels and seal male/
female connection.

SlotTop Tile H20

Stainless steel



Main Characteristics

- Drainage system composed by 4ALL channel and Tile grating
- Stainless steel AISI 304 (on request AISI 316)
- Dimension of double slot 8mm + 8mm
- Suitable for surfaces paved with low tiles and swimming pool area
- Load class A15
- The drainage system can be completely inspected and does not require additional inspectable elements
- It is possible to create corners without interrupting the drainage line using special corner pieces
- Total height 4ALL H50 and Tile : 67mm
- Easy to install
- Easy to carry

SlotTop Tile. functional system and minimal design



DESIGN TO MEET EVERY NEED

Terraces, balconies, swimming pools are places with presence of water on the floors which, if not drained, stagnates and dangerously infiltrates the screeds. To prevent this, it is necessary to install a functional and safe drainage system which is able to collect water.

Also in this case, the design is very important as the drainage system is becoming more and more an aesthetical exigence and it needs to be integrated into architectural context and give to the project a uniform design.

Ideal for areas paved with thin tiles and bedding.

The system is suitable for new buildings and also for renovation.



Tile creates a double drainage line that is perfectly integrated with the flooring and at the same time prevents water stagnation and infiltration into the bedding.

All this happens only with two thin lines that provide uniformity to the drainage system.

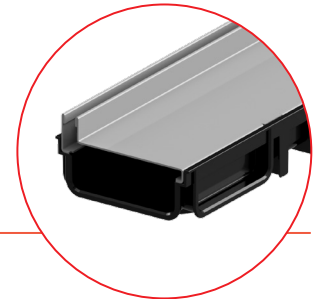
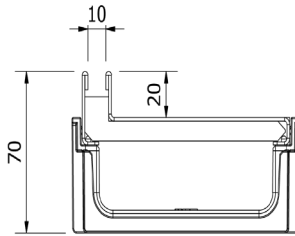
Discreet, elegant and almost invisible, SlotTop Tile can be integrated into a terrace with its simple design. The drainage is invisible to the eyes but remains functional and the design is the main protagonist

SlotTop Tile. functional system and minimal design




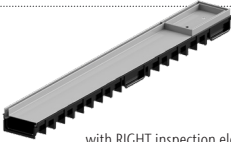
SlotTop H20 with 4ALL H50 channel body

Product Information

- Channel PP-PE 4ALL H50 and SlotTop H20
- SlotTop H20 in stainless steel AISI 304 (on request AISI 316)
- Load class A15
- Slot dimension 10mm
- Elements of inspection: linear, right and left curve
- Total height 70mm



SlotTop H20 with 4ALL H50 channel body

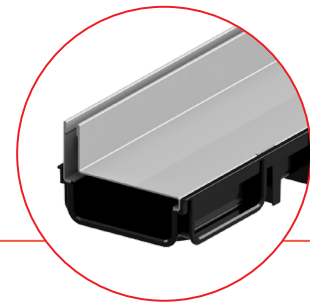
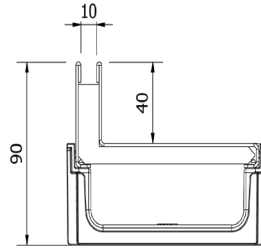
	Material	Dimensions			Slot	Weight	Artic. Num.
		Length	Width	Height			
		[mm]	[mm]	[mm]			
	Stainless steel	1000	125	70	10	2,90	845310
 with inspection element	Stainless steel	1000	125	70	10	3,10	845311
 with LEFT inspection element	Stainless steel	1000	125	70	10	3,10	845313
 with RIGHT inspection element	Stainless steel	1000	125	70	10	3,10	845312

SlotTop H40

with 4ALL H50 channel body

Product information

- Channel PP-PE 4ALL H50 and SlotTop H40
- SlotTop H40 in stainless steel or galvanized steel
- Load class B125
- Slot dimension 10mm
- Elements of inspection: linear, right and left curve
- Total height 90mm



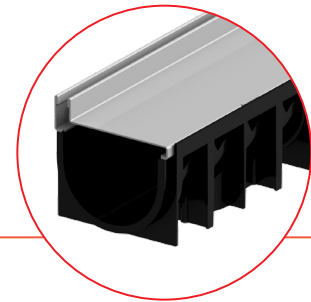
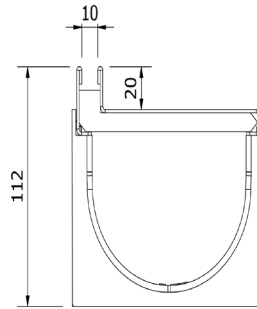
SlotTop H40 with 4ALL H50 channel body

	Material	Dimensions			Slot	Weight	Artic. Num.
		Lenght	Width	Height			
		[mm]	[mm]	[mm]			
	Stainless steel	1000	125	90	10	3,50	845330
	Galvanized steel	1000	125	90	10	3,50	845320
	Stainless steel	1000	125	90	10	3,90	845331
	Galvanized steel	1000	125	90	10	3,90	845321
	Stainless steel	1000	125	90	10	3,90	845333
	Galvanized steel	1000	125	90	10	3,90	845323
	Stainless steel	1000	125	90	10	3,90	845332
	Galvanized steel	1000	125	90	10	3,90	845322

SlotTop H20 with 4ALL H92 channel body

Product information

- Channel PP-PE 4ALL H92 and SlotTop H20
- SlotTop H20 in stainless steel AISI 304 (on request AISI 316)
- Load class A15
- Slot dimension 10mm
- Elements of inspection: linear
- Total height 112mm



SlotTop H20 with 4ALL H92 channel

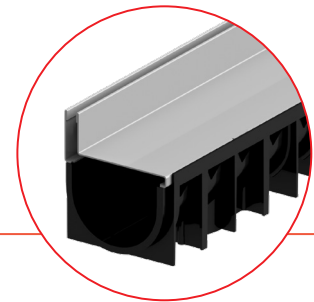
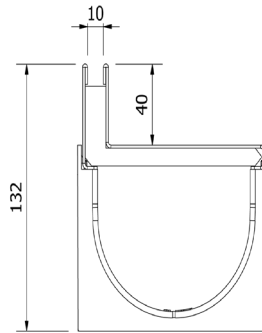
	Material	Dimensions			Slot [mm]	Weight [kg]	Artic. Num
		Lenght	Widht	Height			
		[mm]	[mm]	[mm]			
	Stainless steel	1000	120	112	10	3,00	613310
 with inspection element	Stainless steel	1000	120	112	10	3,30	613311

SlotTop H40


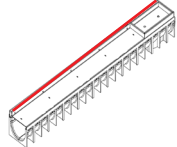
with 4ALL H92 channel body

Product information

- Channel PP-PE 4ALL H92 and SlotTop H40
- SlotTop H40 in stainless steel or galvanized steel
- Load class B125
- Slot dimension 10mm
- Elements of inspection: linear
- Total height 112mm



SlotTop H40 with 4ALL H92 channel

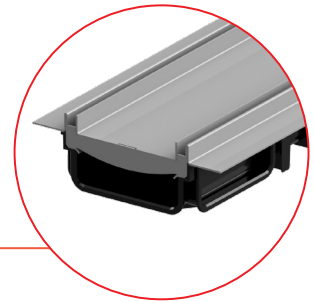
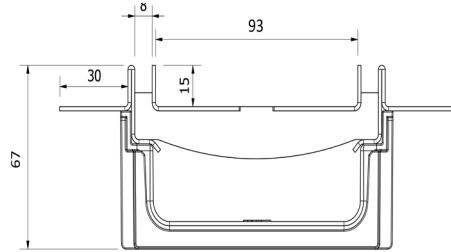
	Material	Dimensions			Slot [mm]	Weight [kg]	Artic. Num.
		Lenght	Widht	Height			
		[mm]	[mm]	[mm]			
	Stainless steel	1000	120	132	10	3,60	613330
	Galvanized steel	1000	120	132	10	3,60	613320
  with inspection element	Stainless steel	800	120	132	10	4,00	613331
	Galvanized steel	1000	120	132	10	4,00	613321

SlotTop Tile

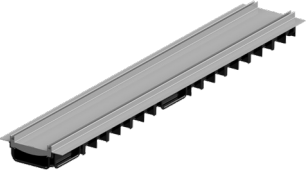
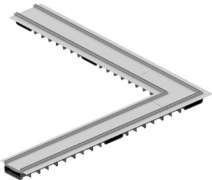
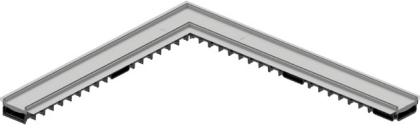
with 4ALL H50 channel body

Product information

- Channel PP-PE 4ALL H50 and Tile
- SlotTop Tile in stainless steel AISI 304 (on request AISI 316)
- Load class A15
- Two slots dimension 8mm
- Total height 67mm



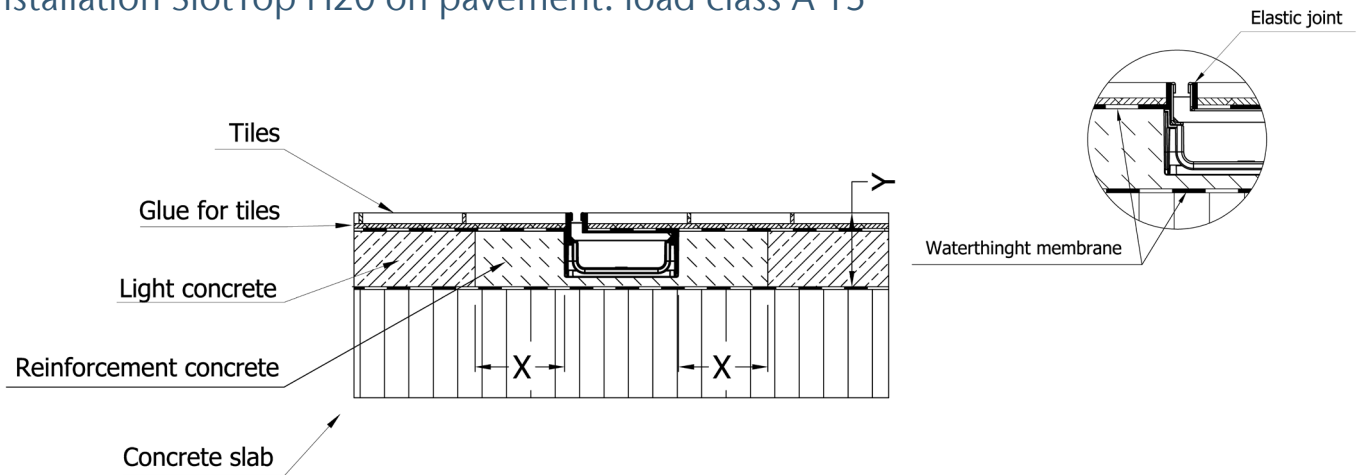
SlotTop Tile and channel 4ALL H50

	Material	Dimensions			Slot [mm]	Weight [kg]	Artic. Num.
		Lenght	Width	Height			
		[mm]	[mm]	[mm]			
	Stainless steel	1000	125	67	8	4,30	845340
 LEFT corner	Stainless steel	1000X1125	125	67	8	8,70	845343
 RIGHT corner	Stainless steel	1000X1125	125	67	8	8,70	845342

SlotTop H20 and H40

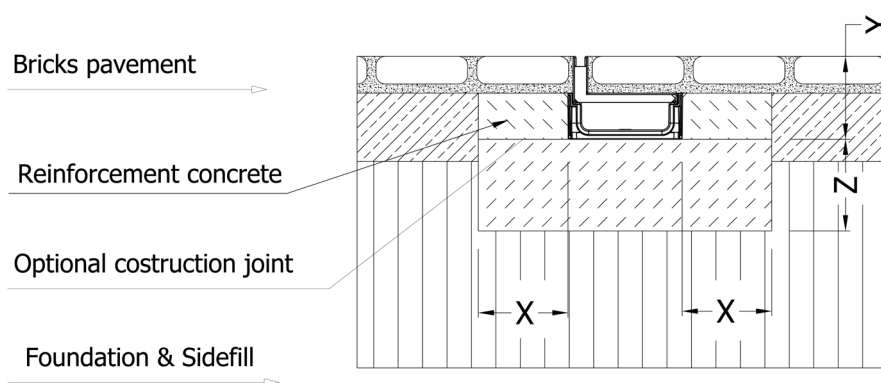
Installation instruction

Installation SlotTop H20 on pavement: load class A 15



Load Class	(ref. EN 1433)	A 15	B 125	C 250	D 400	E 600	F 900
Quality for Bedding & Haunch Concrete (Min)	(ref. EN 206-1)	C20/25					
Quality for Bedding & Haunch Concrete (Min) in area with frost cycle		C30/37 XF4					
Bedding Dimensions (Min)	X (Cm)	10					
	Y (Cm)	Height of the channel + height of the SlotTop H20					
	Z (Cm)	***					

Installation SlotTop H40 on pavement: load class B125

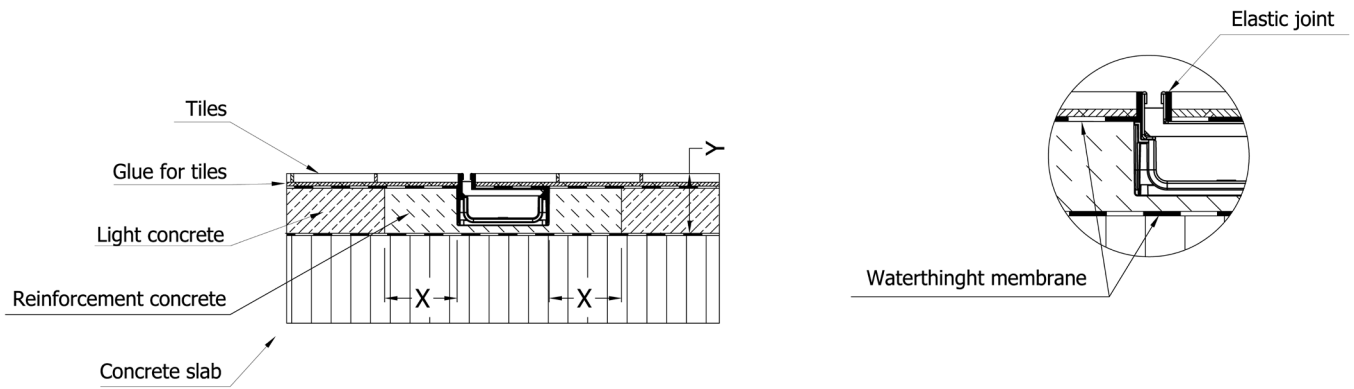


Load Class	(ref. EN 1433)	A 15	B 125	C 250	D 400	E 600	F 900
Quality for Bedding & Haunch Concrete (Min)	(ref. EN 206-1)		C20/25				
Quality for Bedding & Haunch Concrete (Min) in area with frost cycle			C30/37 XF4				
Bedding Dimensions (Min)	X (Cm)		10				
	Y (Cm)	Height of the channel + height of the SlotTop H40					
	Z (Cm)		***				

SlotTop TileH20

Installation instruction

Installation Tile on pavement: load class A 15



Load Class	(ref. EN 1433)	A 15	B 125	C 250	D 400	E 600	F 900
Quality for Bedding & Haunch Concrete (Min)	(ref. EN 206-1)	C20/25					
Quality for Bedding & Haunch Concrete (Min) in area with frost cycle		C30/37 XF4					
Bedding Dimensions (Min)	X (Cm)	10					
	Y (Cm)	Height of the channel + height of the Tile grating					
	Z (Cm)	***					