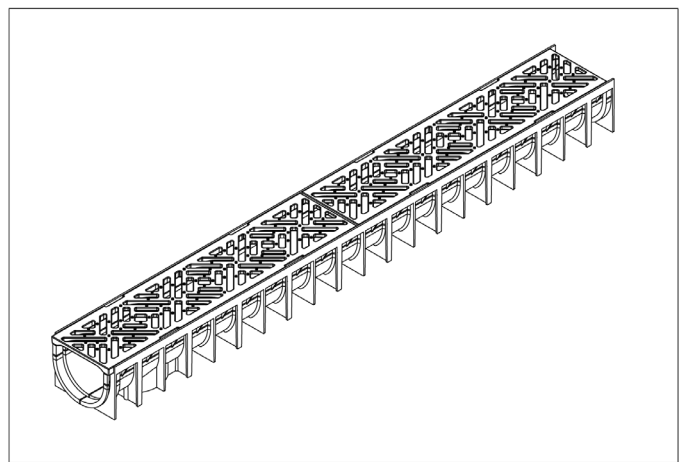
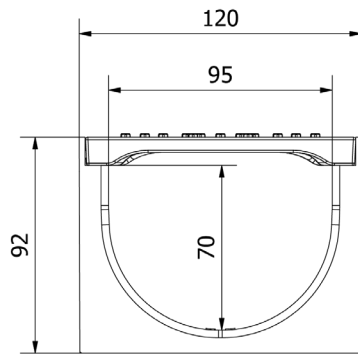
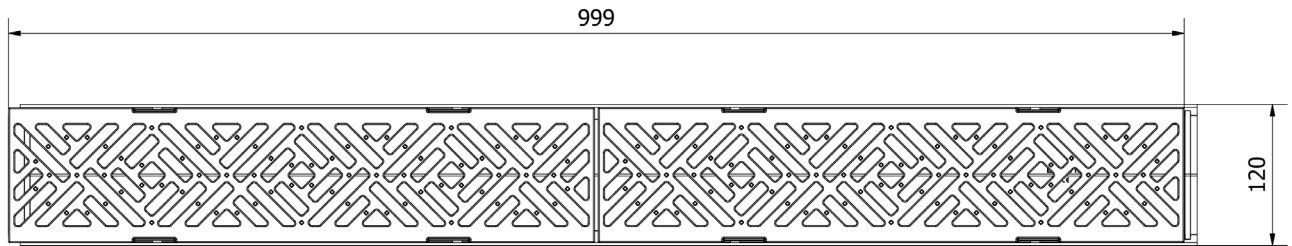


MUFLE 4ALL H92 combined with
CAPRI Ductile iron grating

Black: 613035
Grey: 613047



Dimensions and features

Length (mm)	1000
Width External/Internal (mm)	120 / 95
Height External/Internal (mm)	92 / 70
Outlets	Vertical outlet Ø110 / Ø75
Channel body material	PP-PE
Frame	integrated
Grating material	Ductile iron
Grating slot dimension (mm)	Slot 8mm
Grating surface finishing	Black paint
Weight (Kg)	5,55
Resistance (Norm EN1433)	B 125

Dimensions and weights are subjected to the tolerances of the manufacturing.
The products have to be installed according to ACO's installation manual.