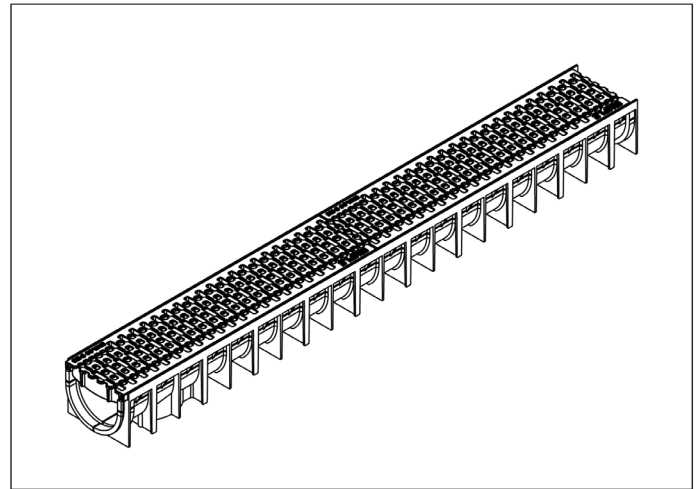
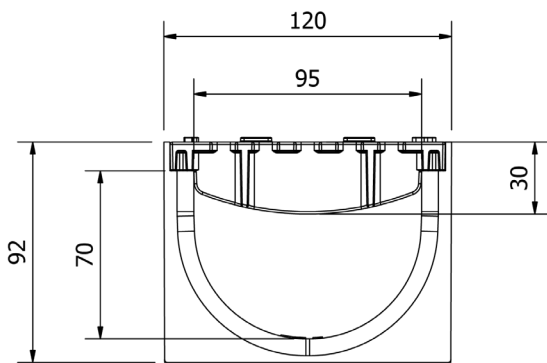
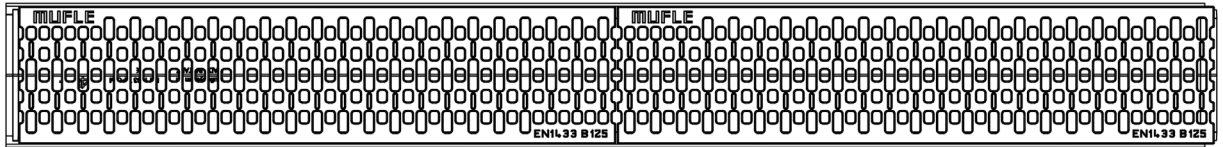


MUFLE 4ALL H92 combined with
PP-GF MANHATTAN grating

Black: 613033
Grey: 613048



Dimensions and features

Length (mm)	1000
Width External/Internal (mm)	120 / 95
Height External/Internal (mm)	92 / 70
Outlets	Vertical outlet Ø110 / Ø75
Channel body material	PP-PE
Frame	integrated
Grating material	PP-GF
Grating slot dimension (mm)	Slot 6mm
Grating surface finishing	***
Weight (Kg)	2,7
Resistance (Norm EN1433)	B 125

Dimensions and weights are subjected to the tolerances of the manufacturing.
The products have to be installed according to ACO's installation manual.