



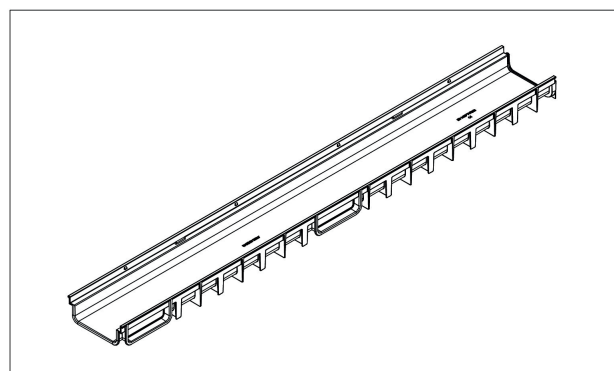
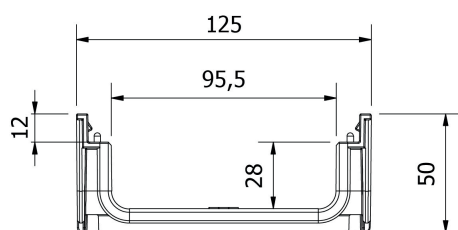
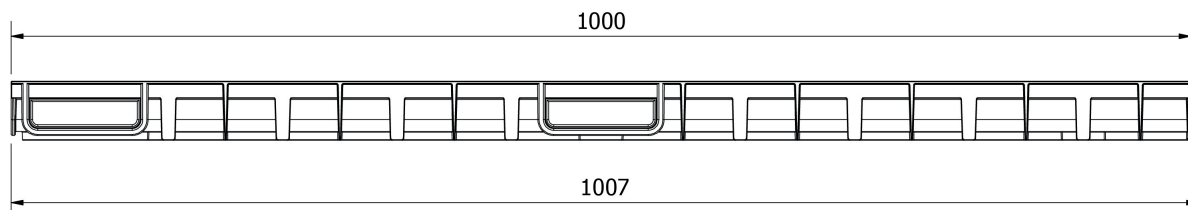
MUFLE
PASSION FOR DRAINAGE

CE
DoP0011

Code
513012 - Black
513013 - Grey

Rev. 00

PE-PP Channel 4All H50



Watertight: to ensure the watertight of the channels, it is advisable to use a bituminous sealing adhesive. As a complete and long lasting guarantee of the absence of leakages through the joints of the channels, it is possible to heat-weld the joints.

Dimensions and Features

N.B. Le dimensioni sono soggette alle normali tolleranze di fabbricazione

Length (mm)	1000
External width (mm)	125
External height (mm)	50
Internal width (mm)	95.5
Internal height (mm)	28
Outlets	Bottom $\varnothing 110/\varnothing 75$ (with accessory) - Side $\varnothing 32$ (with accessory)
Material	PE-PP
Weight (Kg)	0.65
Drainage section (cm ²)	26.74
Capacity (dm ³ = litri)	2.67

Compatible Gratings

Slotted	Galv. Steel/St. Steel	Load class A15
Slotted	PE	Load class A15
Slot 6mm	Ductile iron	Load class B125

The products have to be installed according to MufleSystem's specification (available on our web site)

azienda certificata ISO 9001:2015
numero verde fax 800 234495

MufleSystem s.r.l. - via dell'Industria, 7 - 62017 Porto Recanati - MC - Italy - tel. +39 071 9799122 - fax +39 071 7592275 - info@mufle.com - www.mufle.com
p.iva it 01678850437 - cod. fisc. 01678850437 - cap. soc. € 500,000,00 interamente versato - C.C.I.A.A. MC 01678850437 - REA n. 172231