



# 4ALL

# MUFLE

PASSION FOR DRAINAGE



DoP0013

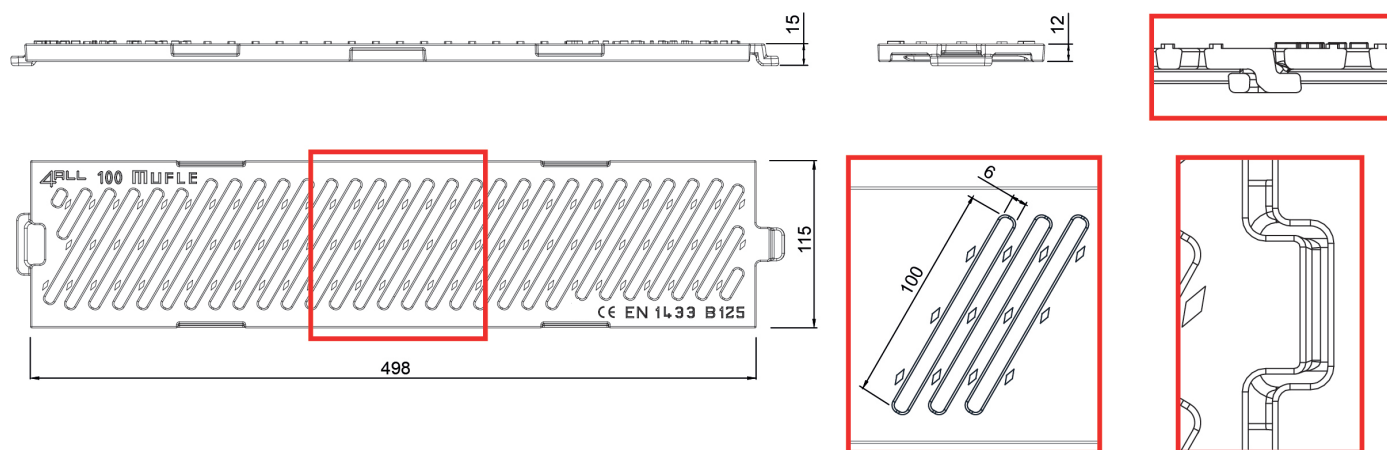
Code  
513111

Rev. 00

## Ductile Iron Grating 4ALL 100 B125 Slot 6 mm

azienda certificata ISO 9001:2015  
numero verde fax 800 234495

MufleSystem s.r.l. - via dell'Industria, 7 - 62017 Porto Recanati - MC - Italy - tel. +39 071 9799122 - fax +39 071 7592275 - info@mufle.com - www.mufle.com  
p.iva it 01678850437 - cod. fisc. 01678850437 - cap. soc. € 500.000,00 interamente versato - C.C.I.A.A. MC 01678850437 - REA n. 172231



Load class in accordance with the norm EN 1433.

## Dimensions and features

N.B. Dimensions and weights are subjected to the normal tolerances of the manufacturing

Length (mm)	498
Total width (mm)	115
Internal width (mm)	100
Height (mm)	12
Slot dimensions F1xF2 (mm)	100 x 6
Material	Ductile Iron
Weight (Kg)	2.40
Draining surface (dm <sup>2</sup> )	1.77
Fixing system	Side Hooks + Joint system
Surface finishing	Black paint
Resistance (Norma UNI-EN1433)	B125

## Compatible Gratings

Channel 4ALL 100/70

## Applications

Parking Areas  
Multilevel Parking  
Sidewalk

The products have to be installed according to MufleSystem's specification (available on our web site)