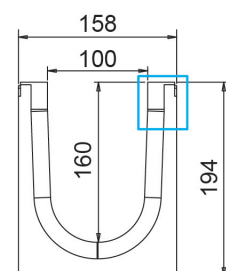
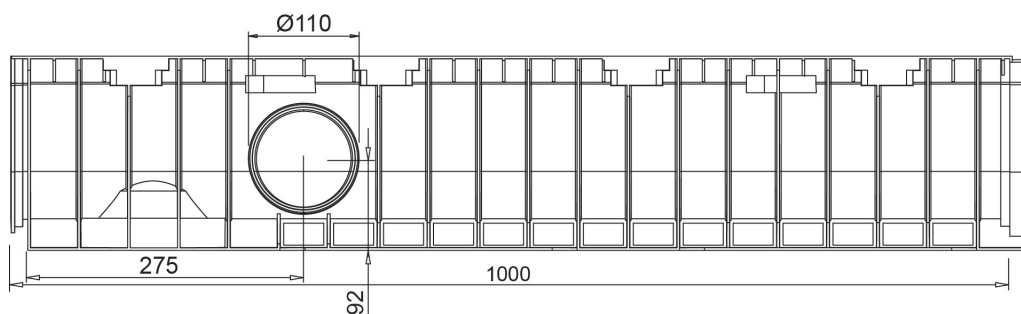
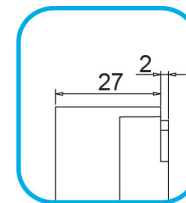
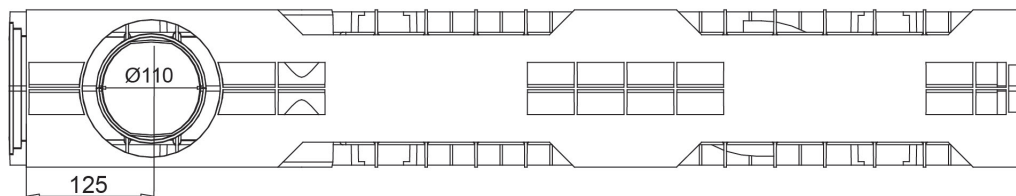




HD-PE Channel EASY 100/160



Watertight: to ensure the watertight of the channels, it is advisable to use a bituminous sealing adhesive. As a complete and long lasting guarantee of the absence of leakages through the joints of the channels, it is possible to heat-weld the joints.

Dimensions and features

N.B. Dimensions and weights are subjected to the normal tolerances of the manufacturing

Length (mm)	1000
External width (mm)	158
External high (mm)	194
Internal width (mm)	100
Internal height (mm)	160
Outlets	2x \varnothing 110 (lateral), 1x \varnothing 110 (bottom)
Material	HD-PE
Weight (Kg)	2.40
Drainage section (cm ²)	145.28
Capacity (dm ³ = litri)	14.52

Compatible Gratings

Slotted	Galvanized Steel / Stainless Steel	Load class A15
Mesh 33x11	Galvanized Steel / Stainless Steel	Load class B125
Mesh 33x33	Galvanized Steel / Stainless Steel	Load class B125
Mesh	Ductile Iron	Load class B125
Slot 13 mm	Ductile Iron	Load class C250
Slot 6 mm	Ductile Iron	Load class C250
Longitudinal slot "T"	Galvanized Steel / Stainless Steel	Variable

The products have to be installed according to MufleSystem's specification (available on our web site)