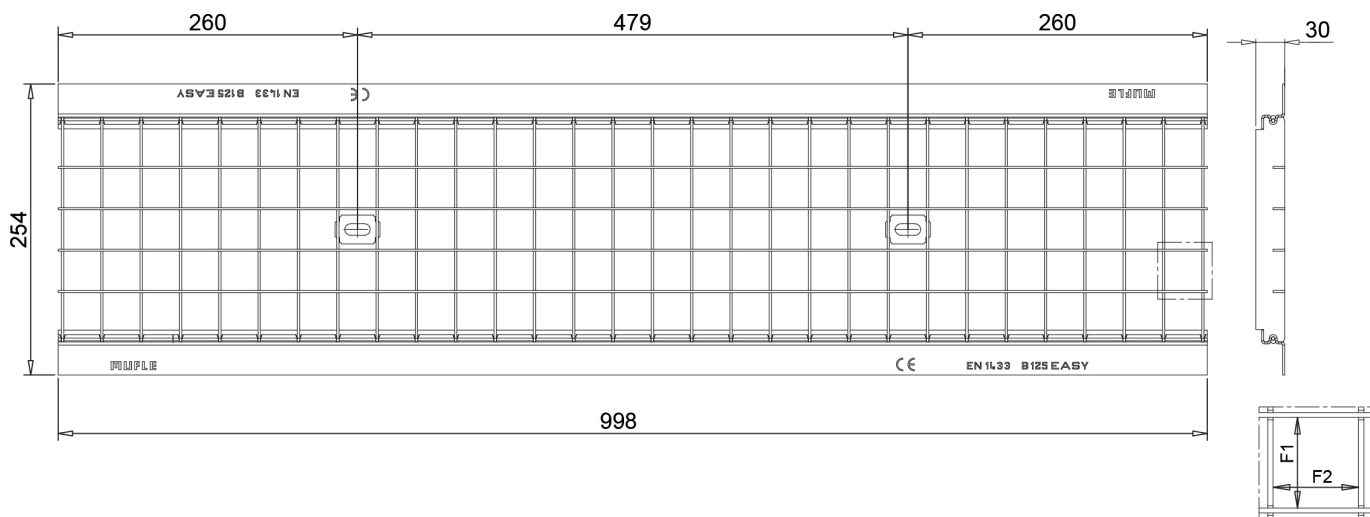




Galvanized Steel/Stainless Steel Grating EASY 200 B125 - Square Mesh



Load class in accordance with the norm EN 1433.

Dimensions and features

N.B. Dimensions and weights are subjected to the normal tolerances of the manufacturing

Length (mm)	998
Total width (mm)	254
Internal width (mm)	200
Height (mm)	1.80
Slot dimensions F1x F2 (mm)	34.2 x 32.2
Material	Galvanized Steel/Stainless Steel
Weight (Kg)	5.20
Drainage surface (dm ²)	16.00
Fixing system	Tie Rods
Surface finishing	Galvanization
Resistance (Norm UNI-EN1433)	B125

Compatible Channels

- EASY 200/250
- EASY 200/160
- EASY 200/100
- EASY 200/40

Application

- Parking Areas
- Multilevel Parking
- Sidewalk