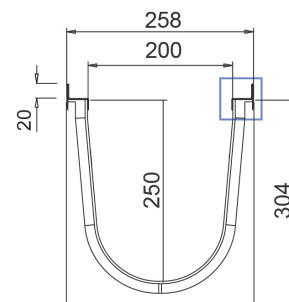
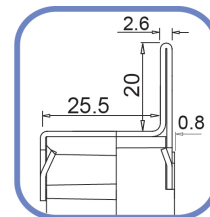
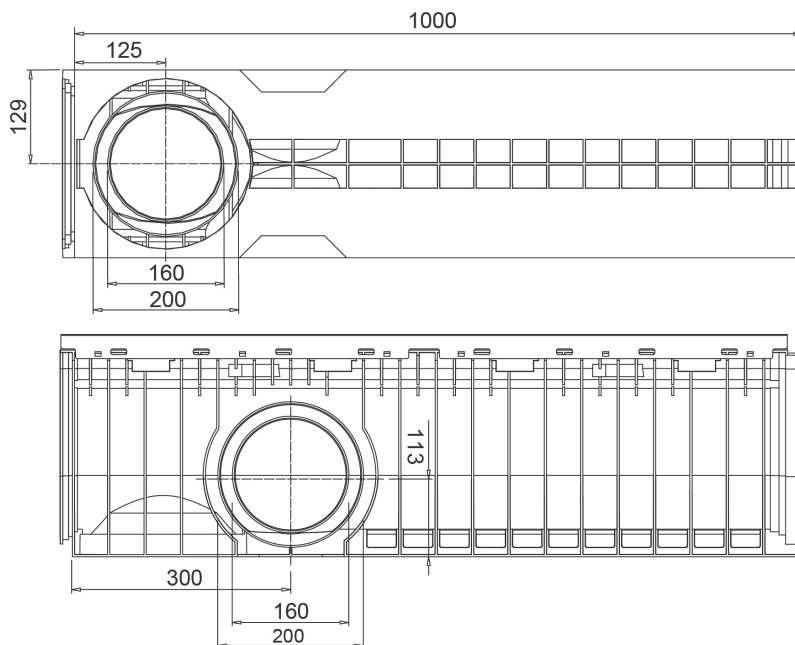




HD-PE Channel SMART 200/250



Watertight: to ensure the watertight of the channels, it is advisable to use a bituminous sealing adhesive. As a complete and long lasting guarantee of the absence of leakages through the joints of the channels, it is possible to heat-weld the joints.

Dimensions and features

N.B. Dimensions and weights are subjected to the normal tolerances of the manufacturing

Length (mm)	1000
External width (mm)	258
External high (mm)	304
Internal width (mm)	200
Internal height (mm)	250
Outlets	2x \varnothing 200/160 (lateral), 1x \varnothing 200/160 (bottom)
Material	HD-PE
Weight (Kg)	6.30
Drainage section (cm ²)	430
Capacity (dm ³ = litri)	43

Compatible Gratings

Mesh 33x11	Galvanized Steel / Stainless Steel	Load class B125 - C250
Mesh 33x33	Galvanized Steel / Stainless Steel	Load class B125 - C250
Mesh	Ductile Iron	Load class B125
Slot 20 mm	Ductile Iron	Load class C250
Slot 7 mm	Ductile Iron	Load class C250