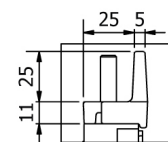
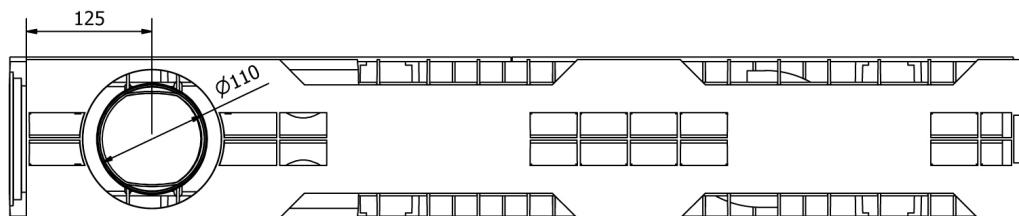
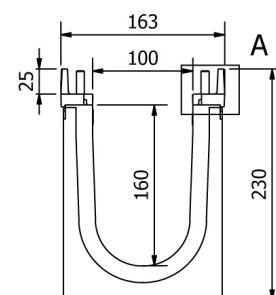
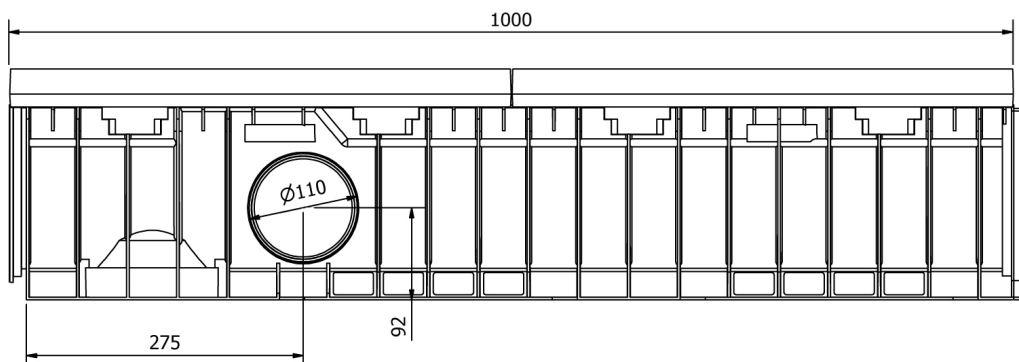




HD-PE Channel Wing G 100/160



DETAIL A



Watertight: to ensure the watertight of the channels, it is advisable to use a bituminous sealing adhesive. As a complete and long lasting guarantee of the absence of leakages through the joints of the channels, it is possible to heat-weld the joints.

Dimensions and features

N.B. Dimensions and weights are subjected to the normal tolerances of the manufacturing

Length (mm)	1000
External width (mm)	158
External high (mm)	221
Internal width (mm)	100
Internal height (mm)	160
Outlets	2x \varnothing 110 (lat.) / 1x \varnothing 110 (vert.)
Material	HD-PE
Frame material	Ductile iron
Weight (Kg)	9.4
Drainage section (cm ²)	145.28
Capacity (dm ³ = litri)	14.52

Compatible Gratings

Slot 20 mm	Ductile Iron	Load class D 400 - E 600 - F 900
Mesh	Ductile Iron	Load class D 400