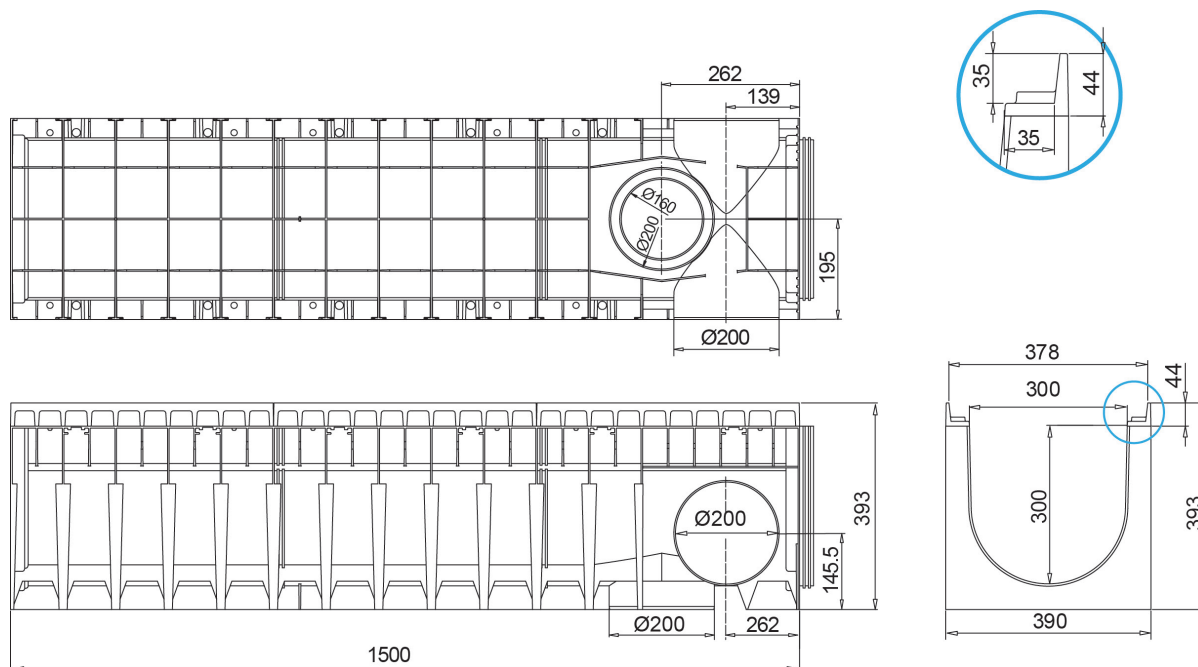




HD-PE Channel Wing G 300/300



Watertight: to ensure the watertight of the channels, it is advisable to use a bituminous sealing adhesive. As a complete and long lasting guarantee of the absence of leakages through the joints of the channels, it is possible to heat-weld the joints.

Dimensions and features

N.B. Dimensions and weights are subjected to the normal tolerances of the manufacturing

Length (mm)	1500
External width (mm)	390
External high (mm)	393
Internal width (mm)	300
Internal height (mm)	300
Outlets	2xØ200 (lat.) / 1xØ160/200 (vert.)
Material	HD-PE
Frame material	Ductile iron
Weight (Kg)	20.90
Drainage section (cm ²)	796.00
Capacity (dm ³ = litri)	79.60

Compatible Gratings

Mesh

Ductile Iron

Load class D 400 - E 600